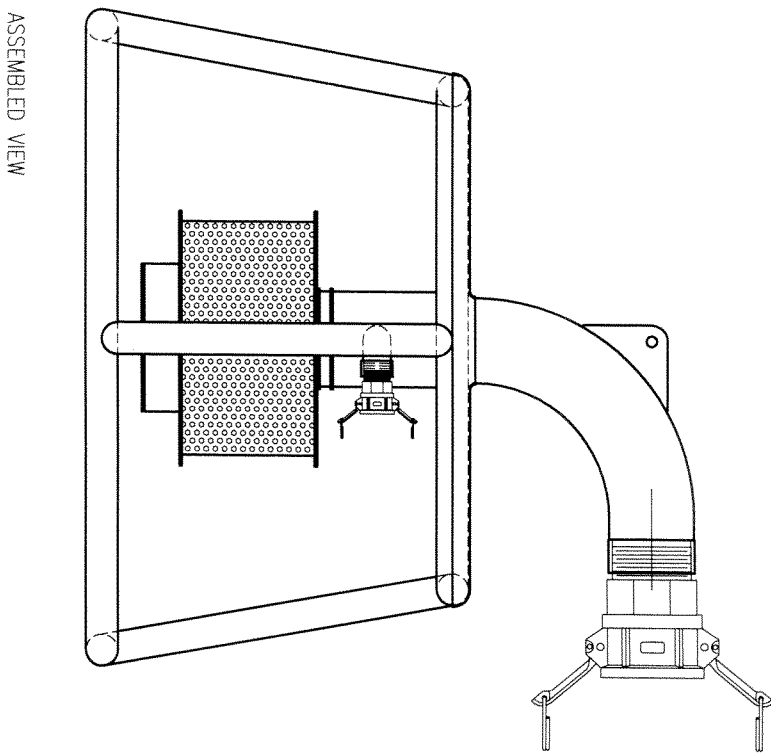
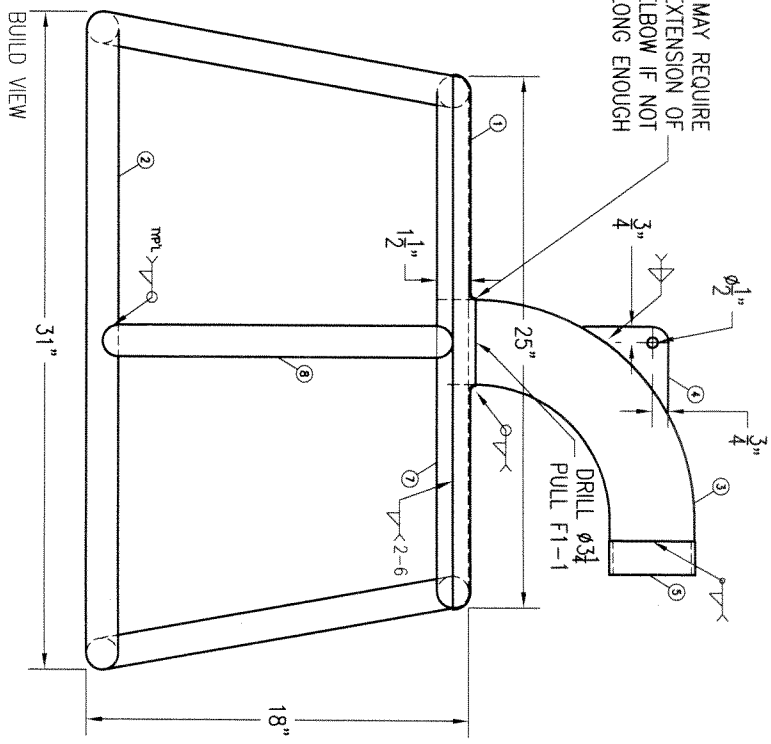


NOTE: MAY REQUIRE
EXTENSION OF
ELBOW IF NOT
LONG ENOUGH



#	1	2	3	4	5	7	8
---	---	---	---	---	---	---	---

turbomist

Your Wind & Water Specialists

559 Okanagan Ave. East
Penticton, B.C., Canada V2A 3K4
Ph: 1-800-495-6145
1-800-493-6145
Fax: 1-250-492-7756
E-mail: turbomist@turbomist.com
VP Marketing
Robert McIntyre, B. Comm
Cell: 250-809-1624
Website: www.slimlinemanufacturing.com

.30
/2
+ 14
+ 14

--	--	--	--	--	--

GENERAL TOLERANCES
UNLESS NOTED

XX	±0.060
XXX	±0.015
XXXX	±0.005
FRACTION	±1/16
ANGLE	±1°54
HOLE	±1/32
HOLE DIMS	±1/32
SW LENGTH	+0
FLANGE/BSF	-1/16
FLANGE CUT	±1/16

SLIMLINE MANUFACTURING LTD.
559 OKANAGAN AVE. E.
PENTICTON, B.C.
CANADA V2A 3K4

Project Name
POND FILTER BRACKET
File # **A2335**

Drawn G. SPELAY	Sheet 1 OF 1
Date 23/03/06	Revision # 0
Scale 2" = 1'0"	

THIRD ANGLE

IMPERIAL
DIMENSIONS ARE IN INCHES.
MATERIAL:
AS NOTED IN BILL OF MATERIALS

SLIMLINE MANUFACTURING LTD. PENTICTON, B.C. CANADA